



ARP-3818AP

Panel Mount Panel PC with 18.5 inch PCAP Touch Screen



Features

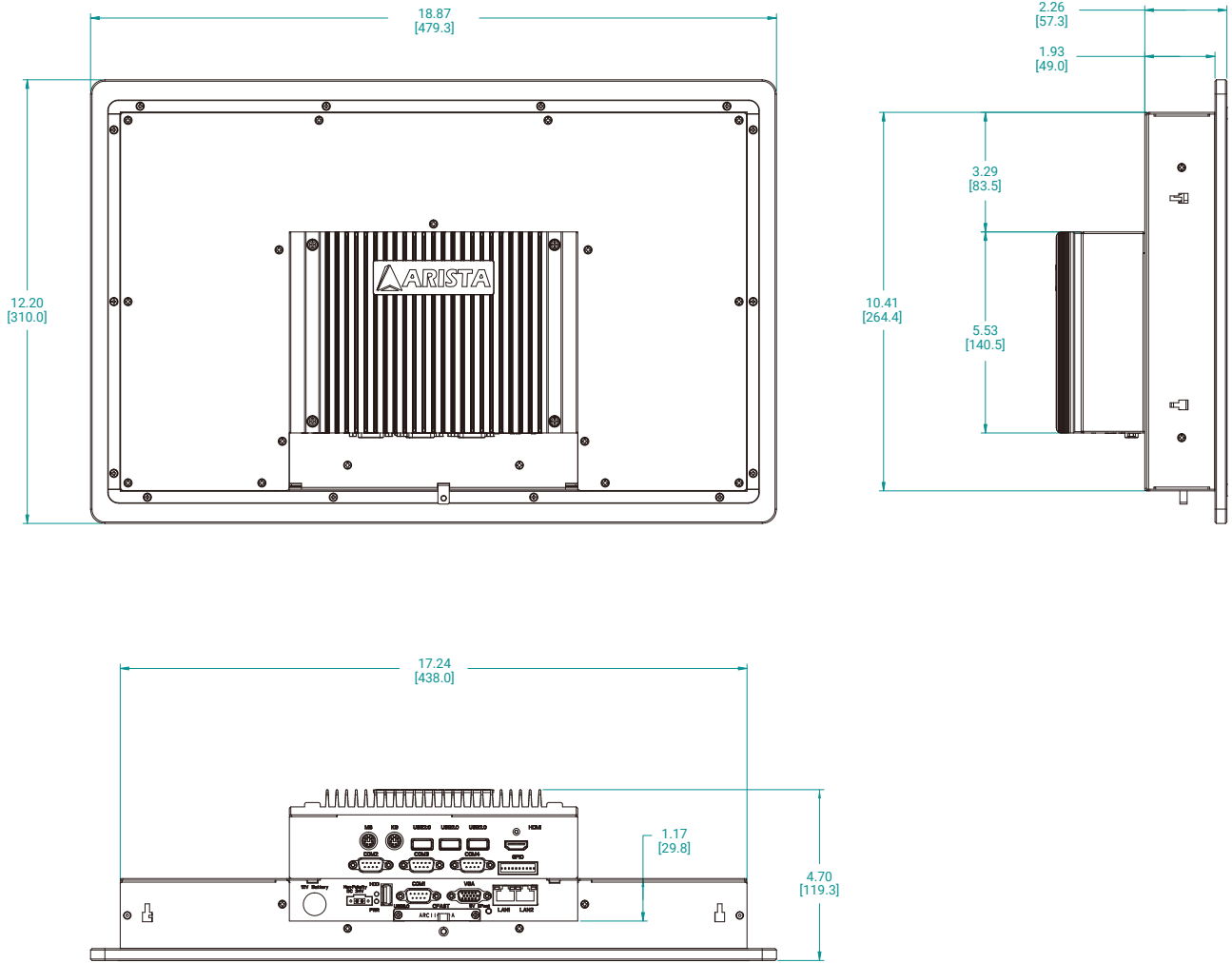
- 18.5" LCD, 1366 x 768 / 1920 x 1080 Resolution
- Projected Capacitive Touch Screen
- Aluminum or Stainless-Steel 316L Flush Bezel
- Intel Celeron J1900 @ 1.99GHz / Atom E3845 @ 1.91GHz CPU; Intel i7-6600U, i5-6300U, Celeron-3855U
- Up to 8GB DDR3/ Up to 16GB DDR4 SO-DIMM
- Optional 2.5" SSD
- Dual Gigabit Ethernet
- 4 x RS-232/422/485 BIOS Selectable
- 1 x 8-bit GPIO (4-bit Input, 4-bit Output)
- 1 x USB 3.0, 3 x USB 2.0 ports

Specifications

Model Name	ARP-3818AP	
	E01	H01
LCD Display		
Display Size (Diagonal)	18.5 inch	18.5 inch
Max Resolution	1920 x 1080	1920 x 1080
Backlight Lifetime (Hours)	50,000 hours	50,000 hours
Visual Characteristics		
Colors	16.7 million	16.7 million
Aspect Ratio	16:09	16:09
Viewing Angle (V/H)	178° / 178°	178° / 178°
Contrast Ratio	1000 : 1	1000 : 1
Brightness	450 nits (Typical)	450 nits (Typical)
Touchscreen		
Technology	Projected Capacitive	Projected Capacitive
Interface	USB	USB
Driver	Windows 7, 8 & 10	Windows 10
Front Bezel		
NEMA 4	Aluminum	Aluminum
NEMA 4x	Stainless Steel 316L(Optional)	Stainless Steel 316L(Optional)
System		
CPU	Intel Celeron J1900 @ 1.99GHz / Atom E3845 @ 1.91GHz CPU	Intel i7-6600U, i5-6300U, Celeron-3855U
Chipset	Bay Trail	SkyLake
Memory	Up to 8GB DDR4 SO-DIMM	Up to 16GB DDR4 SO-DIMM
Video Controller	Intel Gen7 Intel Graphics DX 11, OGL3.2	INTEL HD Graphics 520
External Video Output	VGA, HDMI	VGA, HDMI
Storage Option	2.5" SSD	2.5" SSD
CFast Card	Optional	Optional
Keyboard / Mouse	USB, PS/2	USB, PS/2
Audio	N/A	N/A
Watchdog Timer	Programmable 1 - 255 sec	Programmable 1 - 255 sec
Remote Boot	ThinManager Ready, PXE	PXE
Expansion Slot	Mini PCIe x2	Mini PCIe x1
I/O Communication		
USB Port	1 x USB 3.0, 3 x USB 2.0	1 x USB 3.0, 3 x USB 2.0
Serial Port	4 x RS-232/422/485 BIOS Selectable	4 x RS-232/422/485 BIOS Selectable
IEEE 1394	N/A	N/A
LAN	2 x Gigabit	2 x Gigabit
Parallel	N/A	N/A
GPIO	4 x DI, 4 x DO	4 x DI, 4 x DO
Smart Battery		
External Smart Battery	Optional	Optional
OS Support		
OS Support	Windows 7, 8 & 10	Windows 10
Power/Thermal Specs		
Power Requirement (Max)	24VDC / 1.6A	24VDC / 1.9A
Power Consumption (Max)	38 W	46W
Recommended Power Supply	55W	65W
Heat Dissipation	130 BTU/hr	157 BTU/hr
Physical Information		
Mounting	Panel Mount	Panel Mount
Net Weight	--	--
Dimension (W x H x D)	18.87 x 12.20 x 4.48 inch 479.3 x 310 x 113.8 mm	18.87 x 12.20 x 4.48 inch 479.3 x 310 x 113.8 mm
Recommended Cutout Dimension (WxH)	17.44 x 10.60 inch 443 x 269.4 mm	17.44 x 10.60 inch 443 x 269.4 mm
IP/NEMA Rating	Bezel meets NEAM 4/4X	Bezel meets NEAM 4/4X
Certification	UL 61010	UL 61010
Environmental		
Operating Temperature	0~50°C (32~122°F)	0~50°C (32~122°F)
Storage Temperature	-20~60°C (-4~140°F)	-20~60°C (-4~140°F)
Relative Humidity	0~95%	0~95%

Dimension Drawing

ARP-3818AP-E01
 ARP-3818AP-H01
 Size Unit: inch(mm)



Ordering Information

Item	ARP-3818AP-E01-003	ARP-3818AP-E01-007
LCD Display	18.5" LCD / 1920 x 1080	18.5" LCD / 1920 x 1080
Touch Screen	Projected Capacitive	Projected Capacitive
Bezel	Aluminum	Stainless Steel 316L
CPU	Intel Celeron J1900 @ 1.99GHz / Atom E3845 @ 1.91GHz CPU	Intel Celeron J1900 @ 1.99GHz / Atom E3845 @ 1.91GHz CPU
Memory	4GB DDR3	4GB DDR3
Storage	N/A	N/A
Remote Boot	ThinManager Ready	ThinManager Ready
Power Supply	110/220VAC Input DIN-Rail	110/220VAC Input DIN-Rail

Item	ARP-3818AP-E01-031	ARP-3818AP-E01-035
LCD Display	18.5" LCD / 1920 x 1080	18.5" LCD / 1920 x 1080
Touch Screen	Projected Capacitive	Projected Capacitive
Bezel	Aluminum	Stainless Steel 316L
CPU	Intel Celeron J1900 @ 1.99GHz / Atom E3845 @ 1.91GHz CPU	Intel Celeron J1900 @ 1.99GHz / Atom E3845 @ 1.91GHz CPU
Memory	8GB DDR3	8GB DDR3
Storage	2.5" SATA SSD	2.5" SATA SSD
Remote Boot	N/A	N/A
Power Supply	110/220VAC Input DIN-Rail	110/220VAC Input DIN-Rail

Item	ARP-3818AP-H01-031-700	ARP-3818AP-H01-035-700
LCD Display	18.5" LCD / 1920 x 1080	18.5" LCD / 1920 x 1080
Touch Screen	Projected Capacitive	Projected Capacitive
Bezel	Aluminum	Stainless Steel 316L
CPU	i7-6600U	i7-6600U
Memory	16GB DDR4	16GB DDR4
Storage	2.5" SATA SSD	2.5" SATA SSD
Remote Boot	N/A	N/A
Power Supply	110/220VAC Input DIN-Rail	110/220VAC Input DIN-Rail

ARP-3800AP Series stainless Steel front bezel is made of Stainless Steel 316L and corrosion free against Cleaning Agents and Solvents used in Pharmaceutical industry listed below:

- **Isopropyl alcohol:** Used for cleaning equipment and surfaces due to robust decreasing and disinfection properties.
- **Hydrogen peroxide (50% and 100%):** Used for cleaning and disinfection, as well as the removal of microorganisms in aseptic environments.
- **Acetone:** Used for removing residues insoluble in water. This product is ideal for equipment cleansing.
- **Ethanol:** A common disinfectant frequently used for decontaminating surfaces and equipment.
- **Citric acid:** Used for cleaning stainless steel equipment, removing mineral deposits, and cleansing surfaces.
- **Sodium bicarbonate:** Used for cleaning sensitive surfaces and equipment where more abrasive agents may cause damage.